

FIG 1A

FOR PCT/50996600

FIG 1B

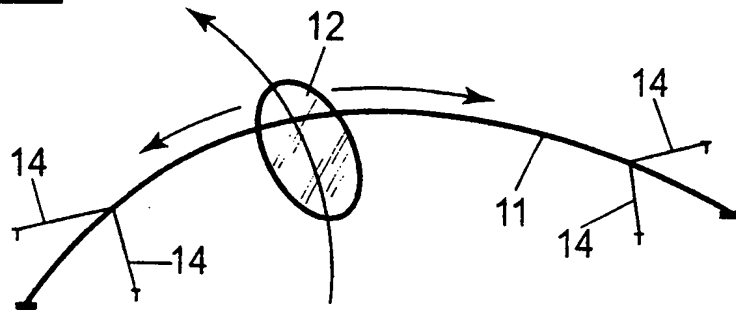


FIG 1C

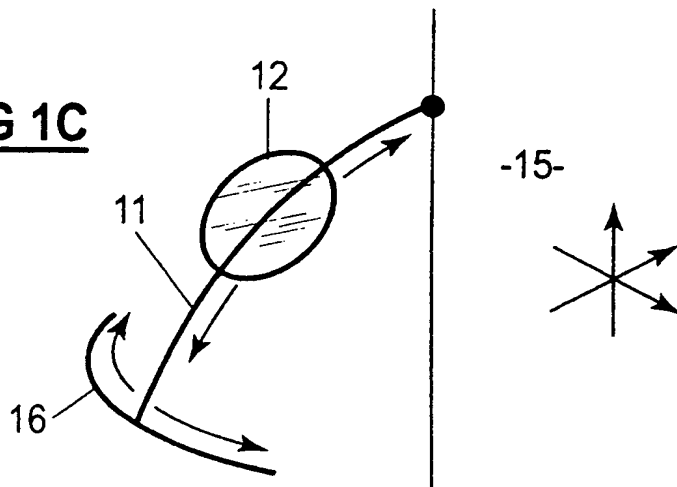
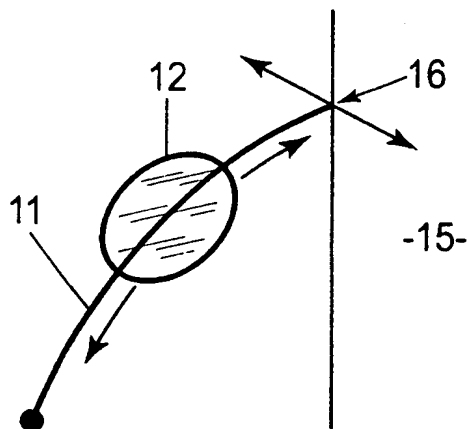


FIG 1D



09936605 50993660

FIG 1E

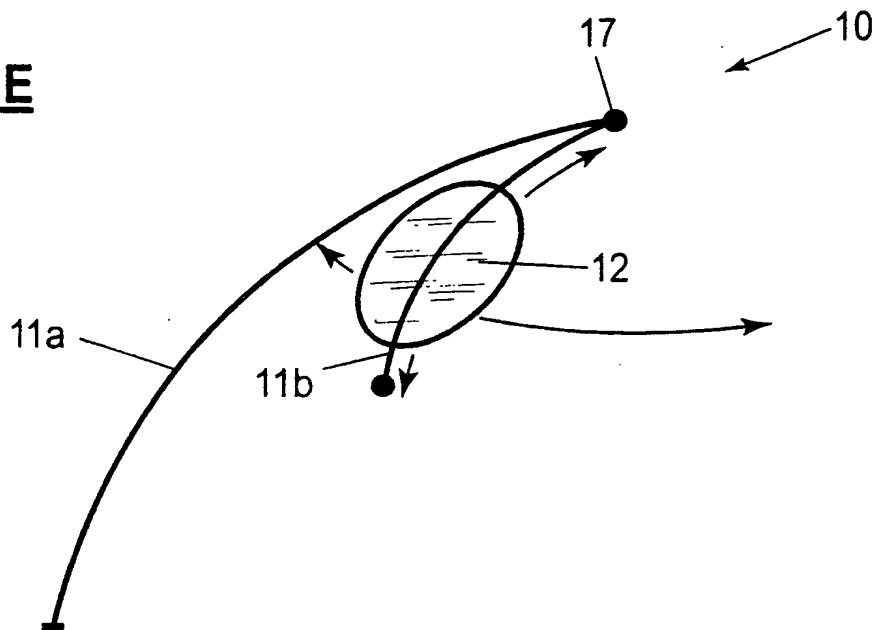
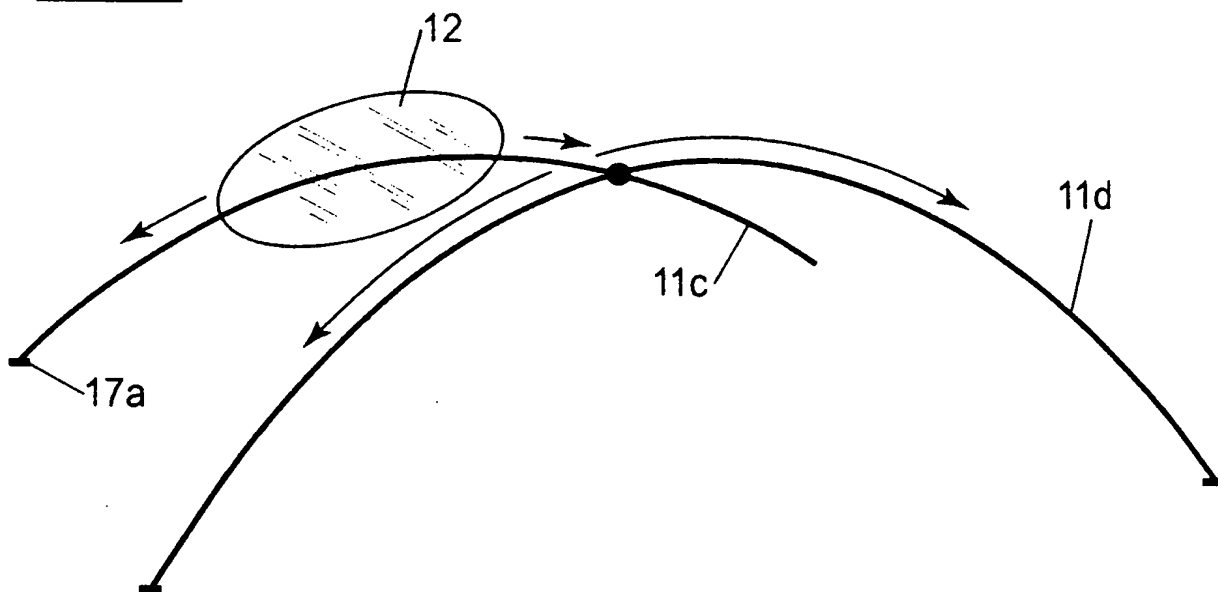


FIG 1F



04760 5099E660

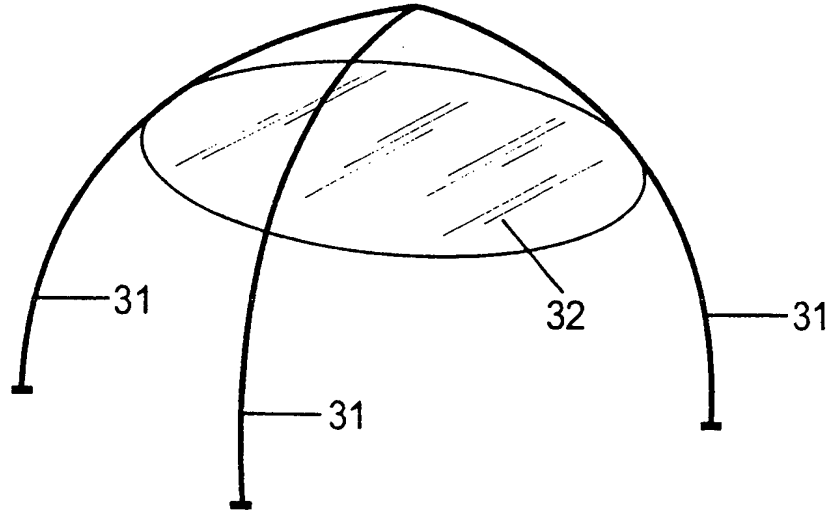
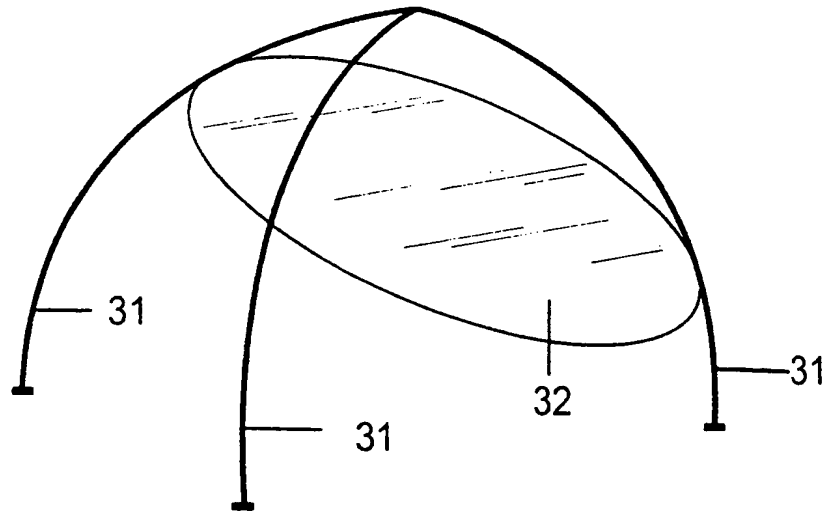


FIG 3



FOI# 5099660

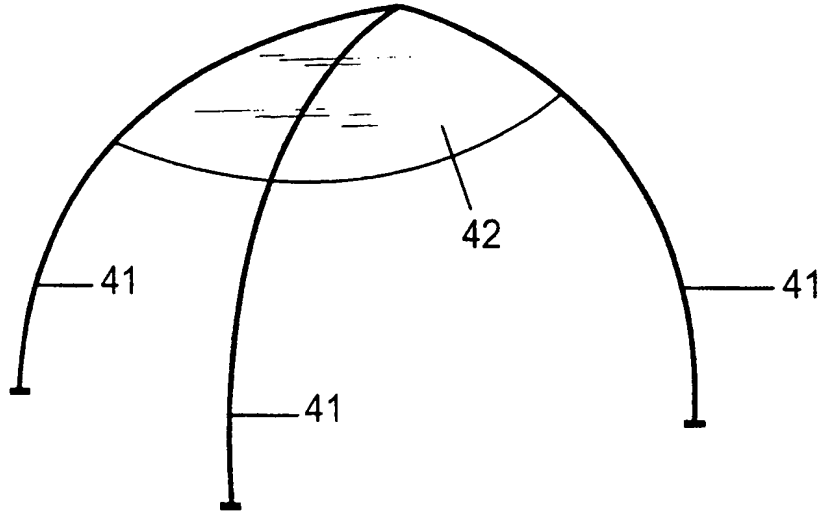
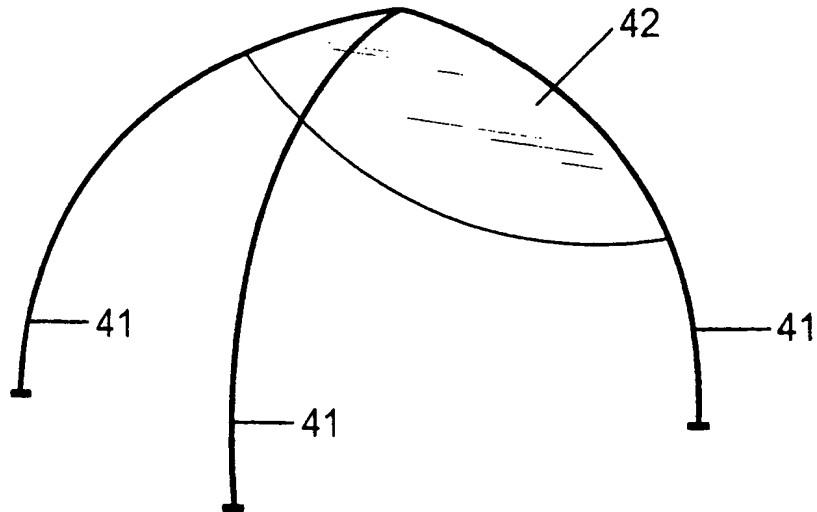


FIG 4



09/936605

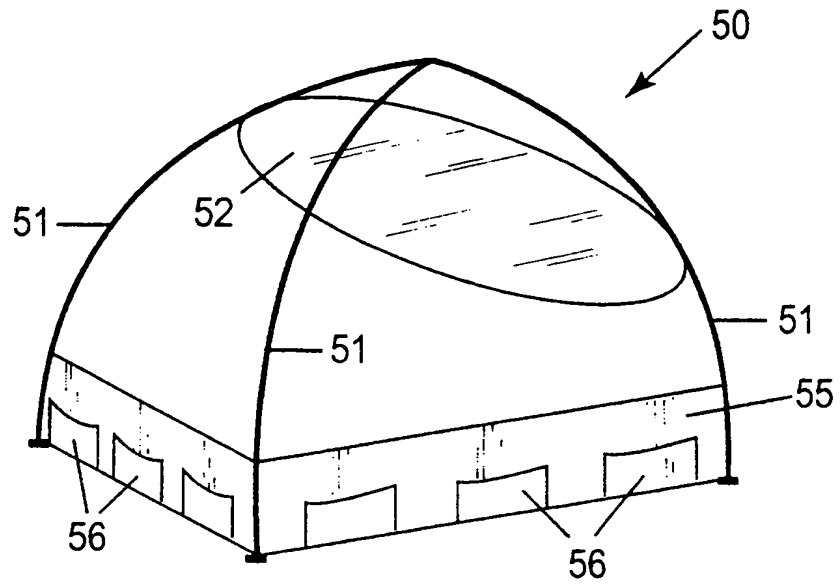


FIG 5

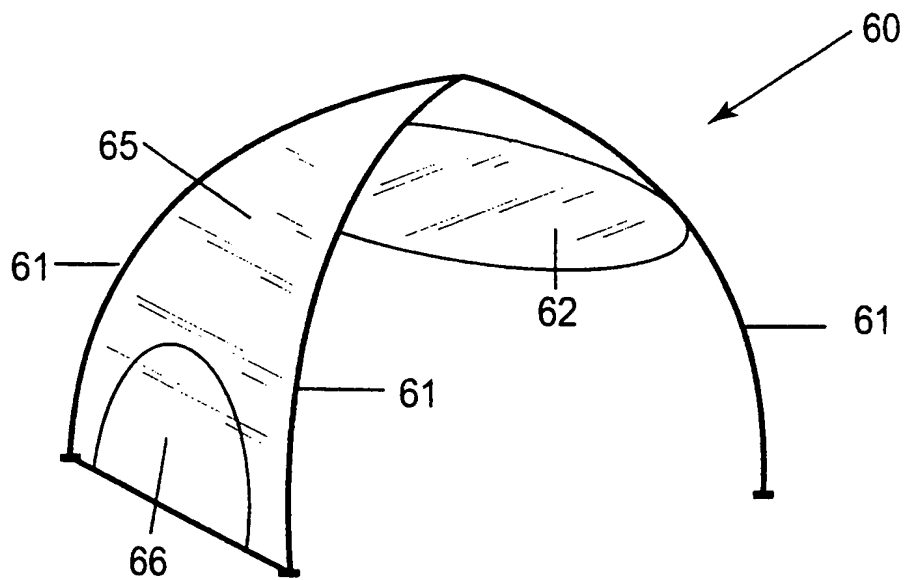


FIG 6

FIG 5

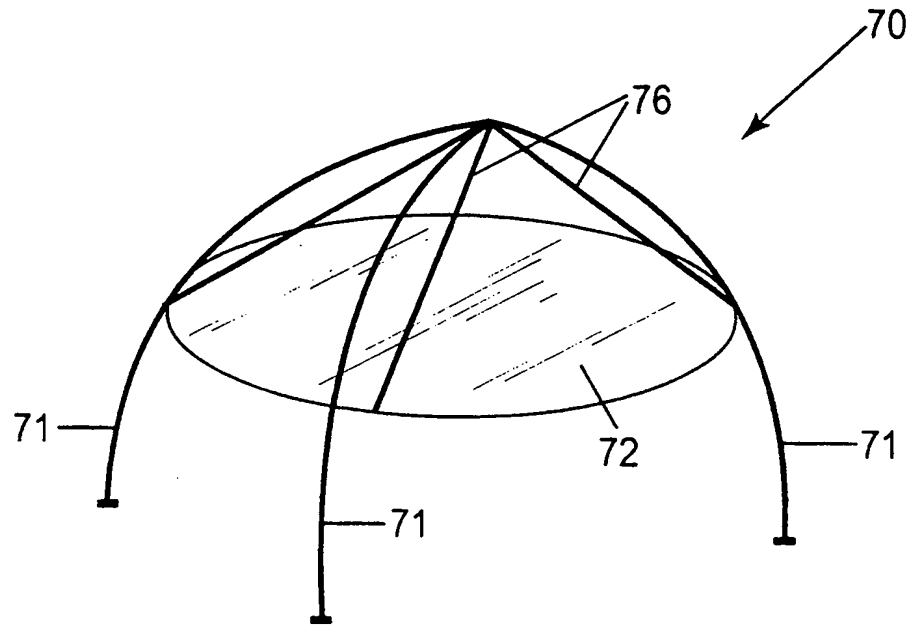


FIG 7

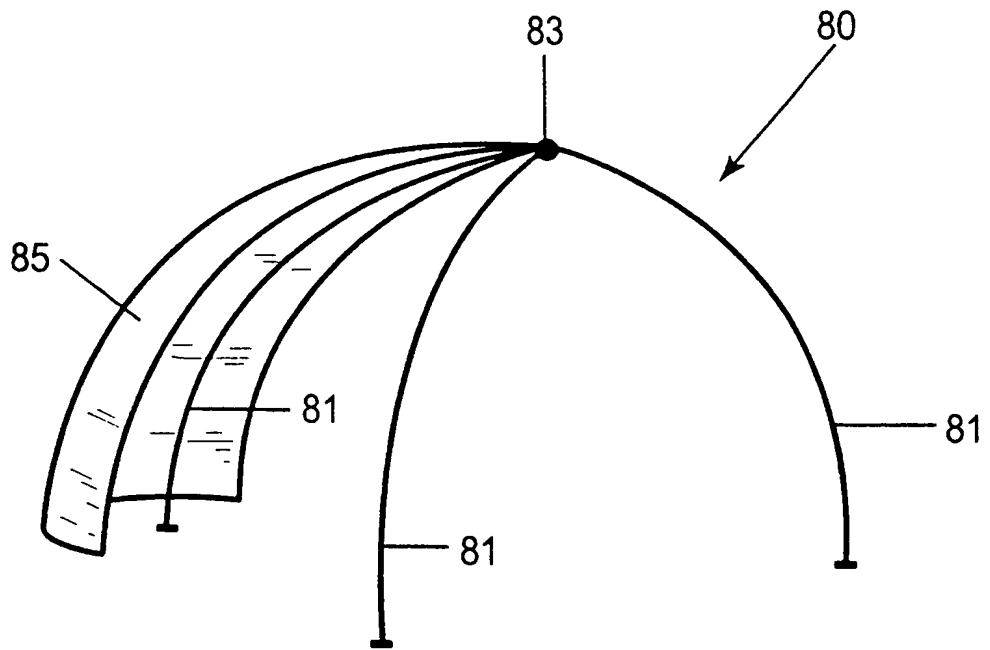


FIG 8

FOR F60 5099660

FIG 9

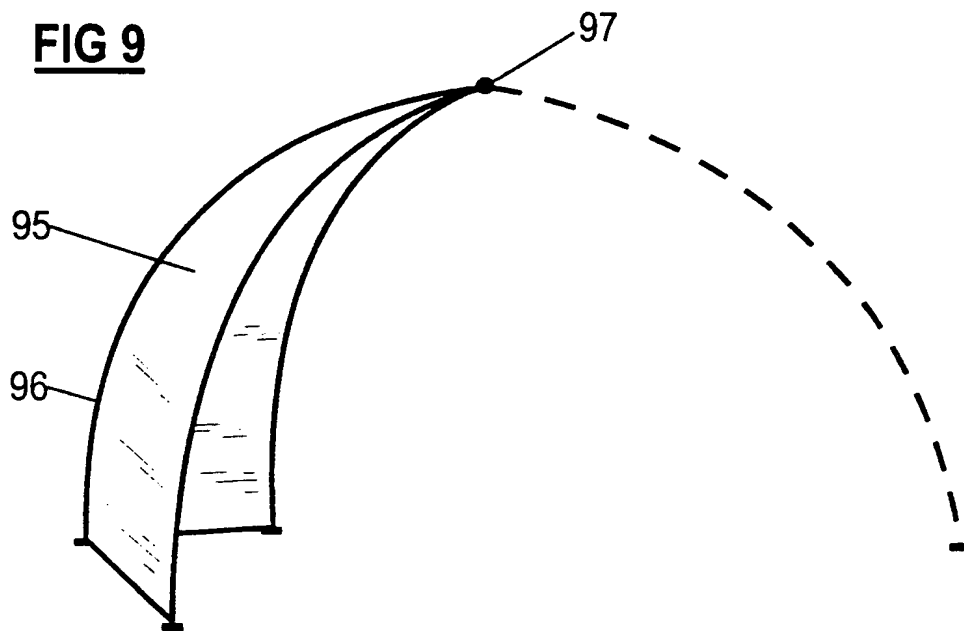
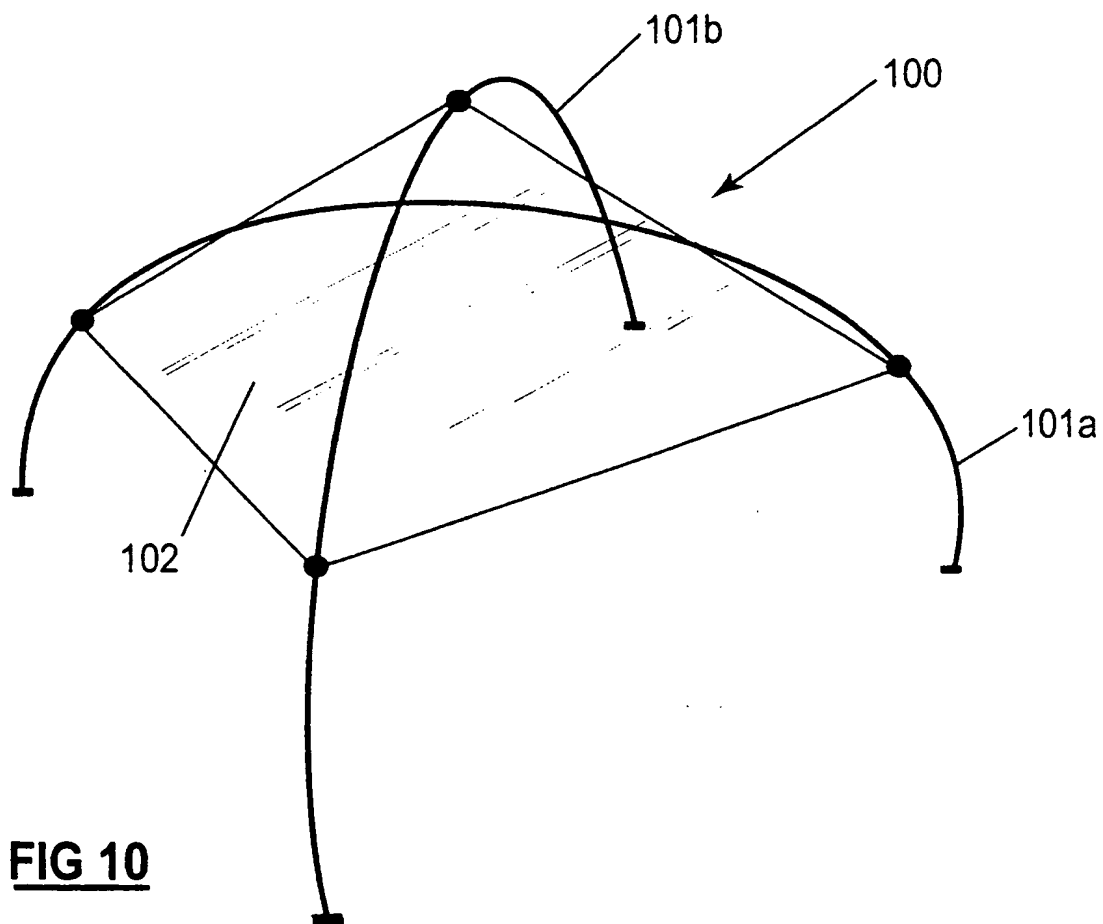


FIG 10



09/936605

FIG 11 (i)

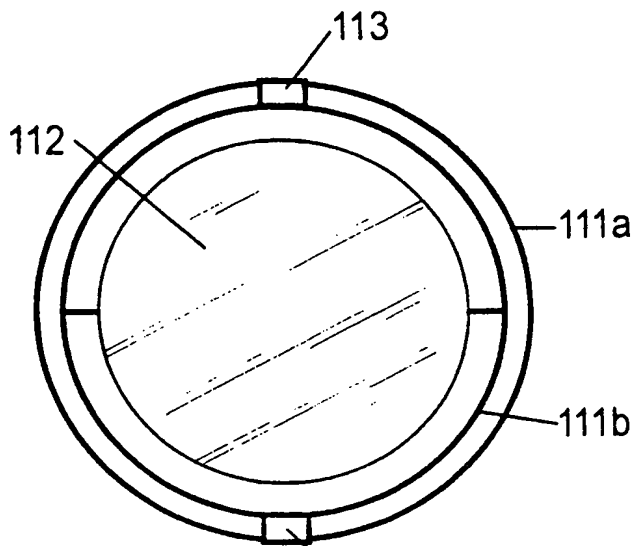


FIG 11 (ii)

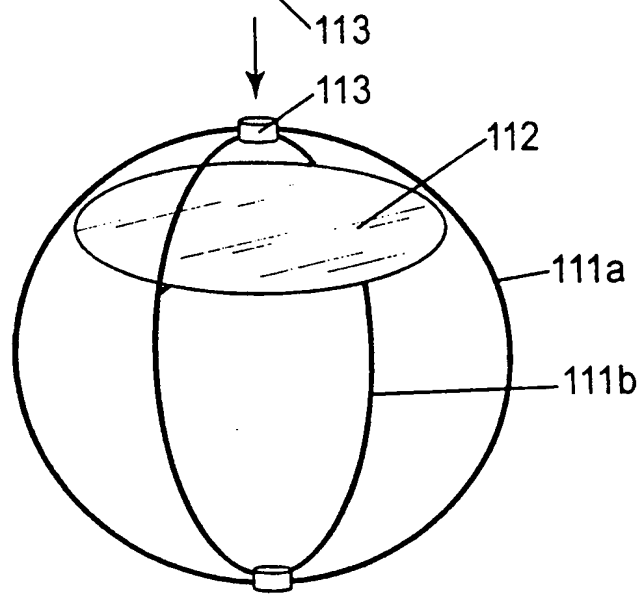
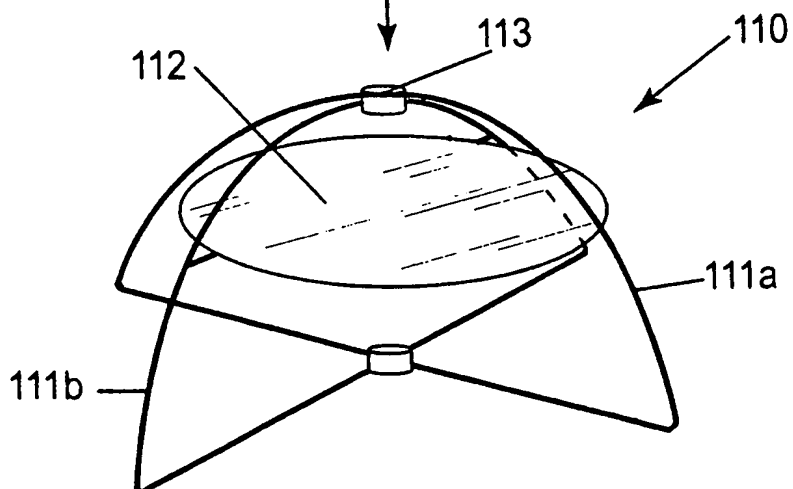
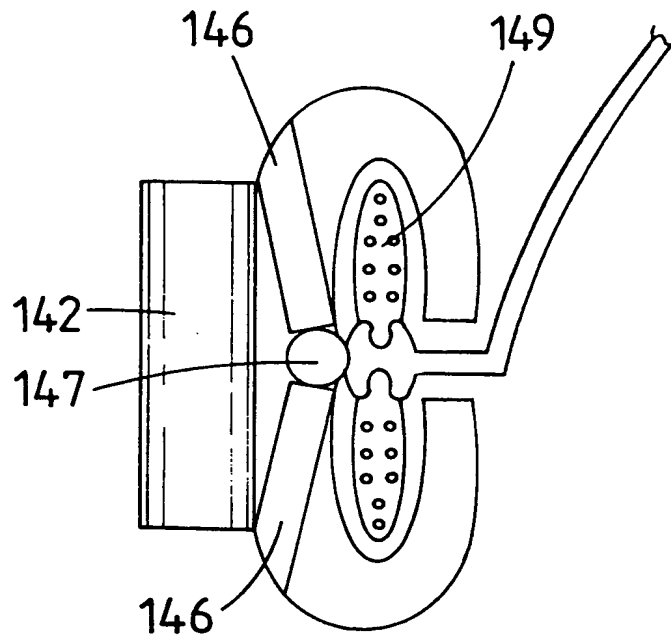
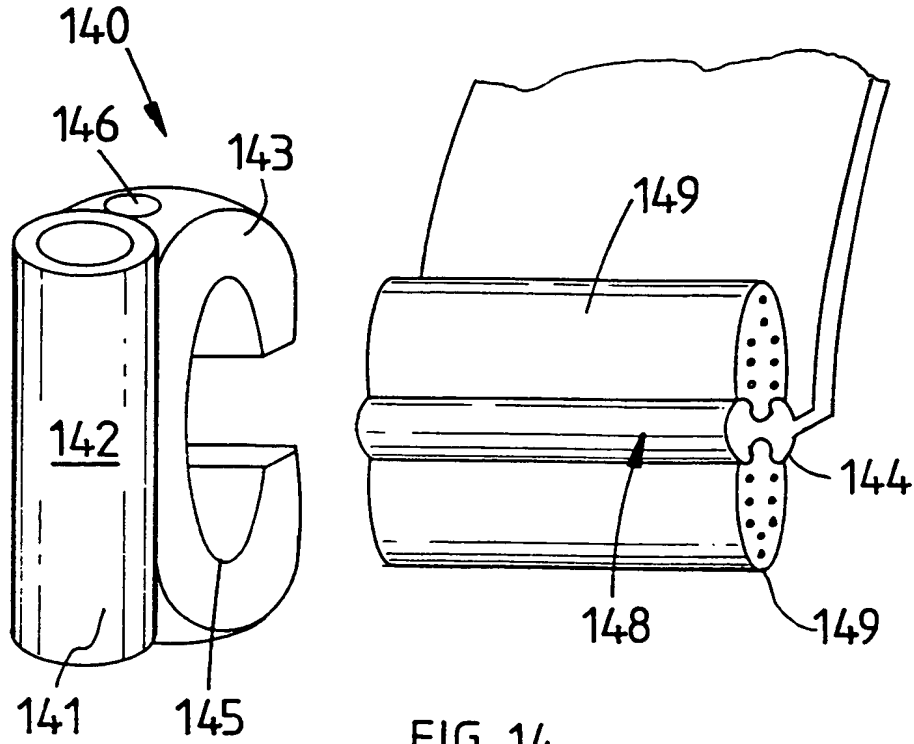


FIG 11 (iii)



09/936605



FOR P60" 5093660